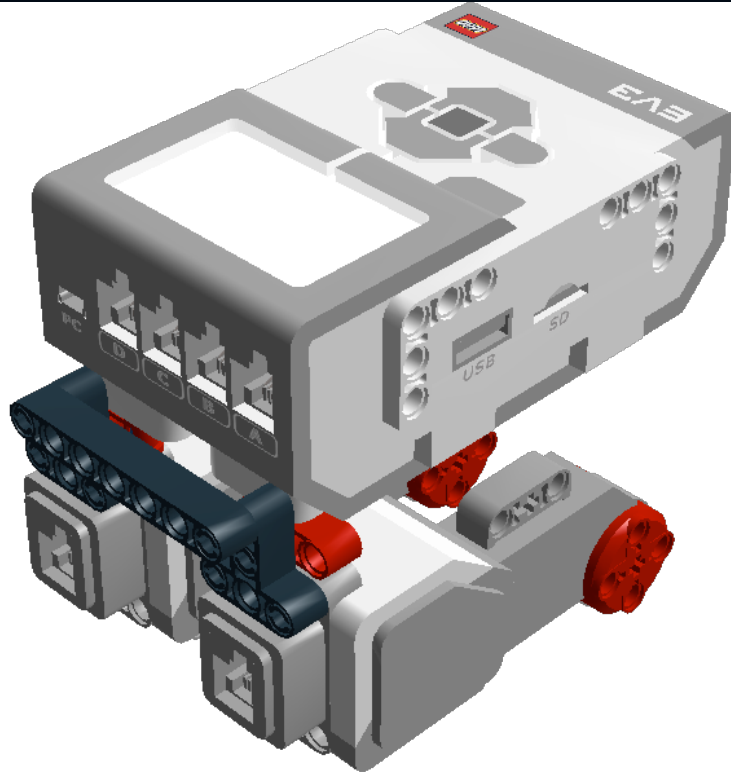
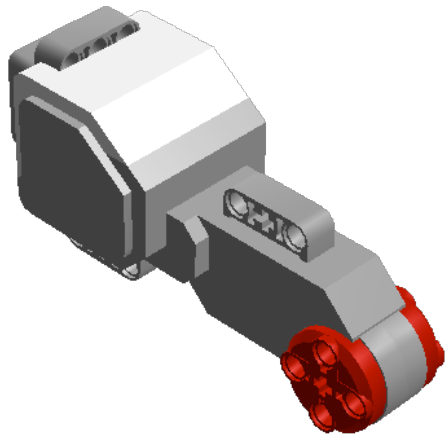


LEGO DIGITAL DESIGNER 4.2

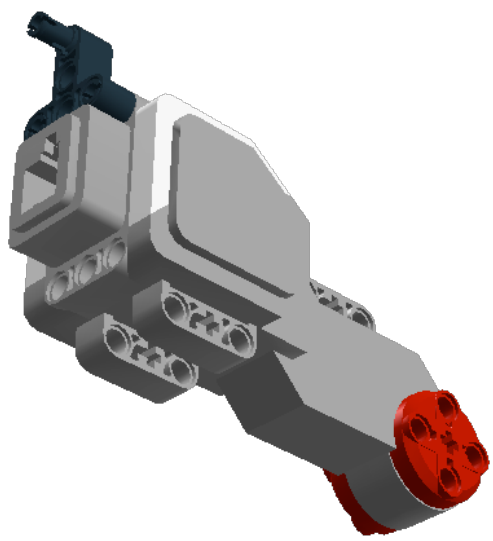
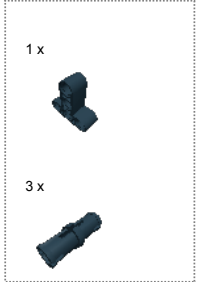
Model Name:
rover-pose-brique
Number of Bricks: 18



Step 1 of 8

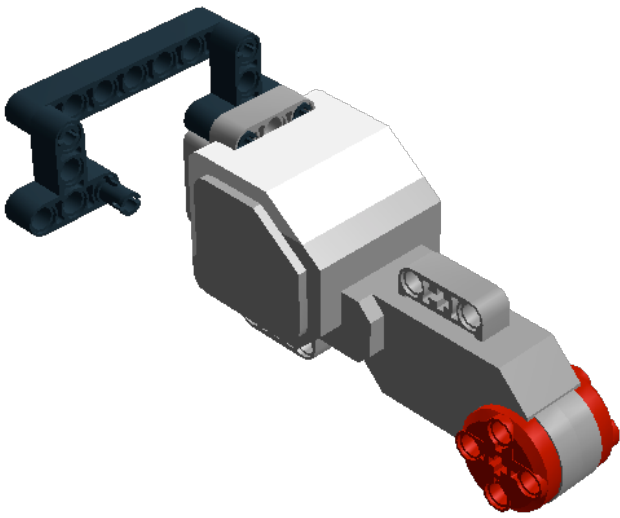


Step 2 of 8





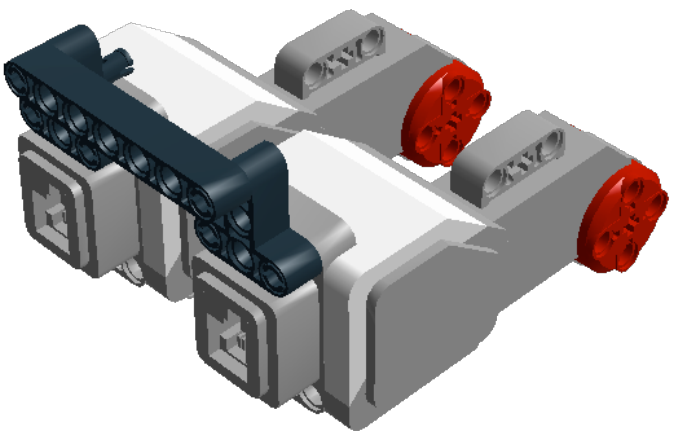
Step 3 of 8

- 1 x 
- 1 x 
- 2 x 

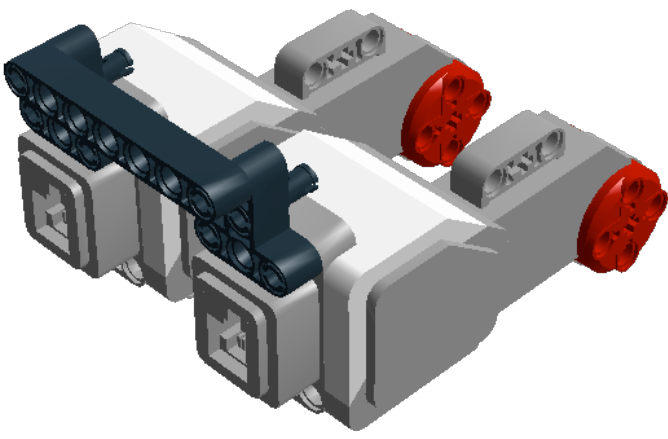


Step 4 of 8



- 1 x 
- 2 x 

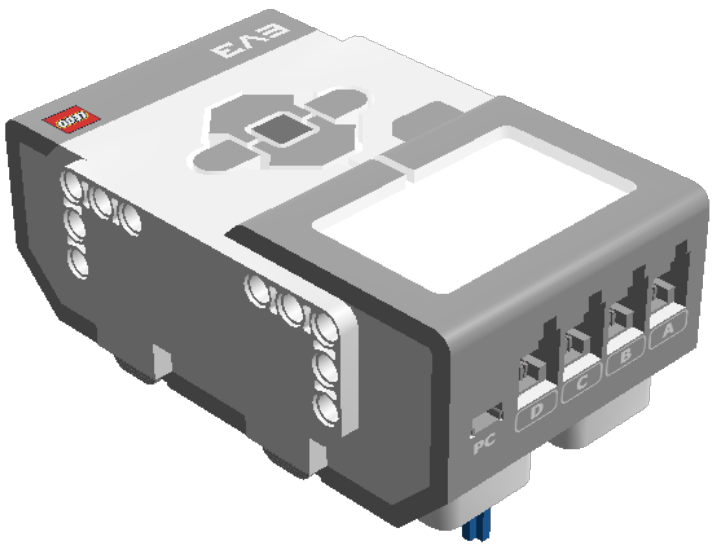


Step 5 of 8





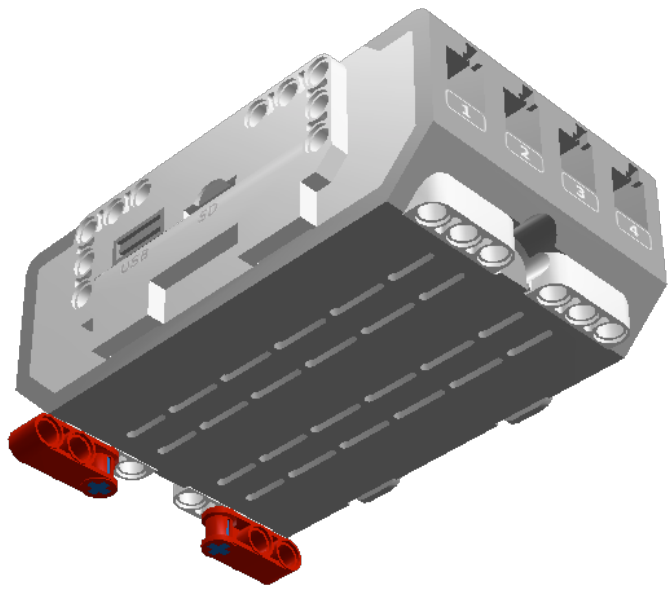
Step 6 of 8

- 1 x 
- 1 x 

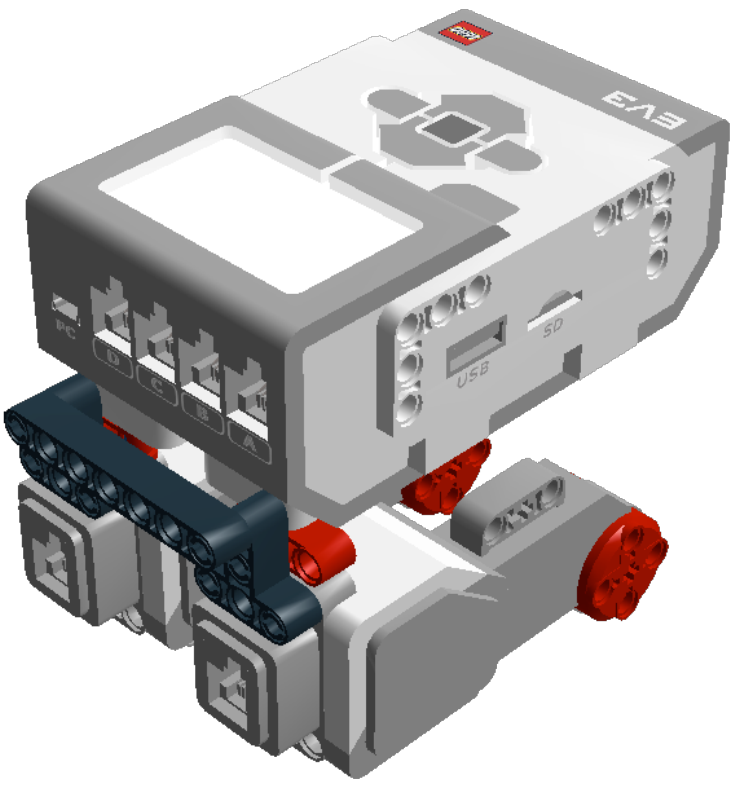



Step 7 of 8


- 1 x 
- 2 x 



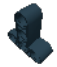
Step 8 of 8





2 x  MS 2013 ENGINE -
6057952 White, Bright Red, Medium
Stone Grey


1 x  MS-EV3, P-BRICK -
6009996 White, Transparent, Medium
Stone Grey, Dark Stone
Grey, Silver Metallic

1 x  4495935 TECHNIC 7M BEAM - Black

2 x  4552347 T-BEAM 3X3 W/HOLE Ø4.8
- Black

8 x  4121715 CONNECTOR PEG W.
FRICTION - Black

2 x  CONN.BUSH
4206482 W.FRIC./CROSSALE -
Bright Blue

2 x  4175442 CROSS BLOCK 3M - Bright
Red

© 2012 The LEGO Group. All rights reserved.
Use of the LEGO Digital Designer html print tool, signifies your agreement to the terms of use.